

Informed Search

CS 486/686

University of Waterloo

Sept 22

Outline

- Using knowledge
 - Heuristics
- Best-first search
 - Greedy best-first search
 - A^* search
 - Other variations of A^*
- Back to heuristics

Recall from last lecture

- Uninformed search methods expand nodes based on "distance" from start node
 - Never look ahead to the goal
 - E.g. in uniform cost search expand the cheapest path. We never consider the cost of getting to the goal
 - Advantage is that we have this information
- But, we often have some additional knowledge about the problem
 - E.g. in traveling around Romania we know the distances between cities so can measure the overhead of going in the wrong direction

Informed Search

- Our knowledge is often on the **merit of nodes**
 - Value of being at a node
- Different notions of merit
 - If we are concerned about the **cost of the solution**, we might want a notion of how expensive it is to get from a state to a goal
 - If we are concerned with **minimizing computation**, we might want a notion of how easy it is to get from a state to a goal
 - We will focus on cost of solution

Informed search

- We need to develop a domain specific **heuristic function**, $h(n)$
- $h(n)$ **guesses** the cost of reaching the goal from node n
 - The heuristic function must be domain specific
 - We often have some information about the problem that can be used in forming a heuristic function (i.e. heuristics are **domain specific**)

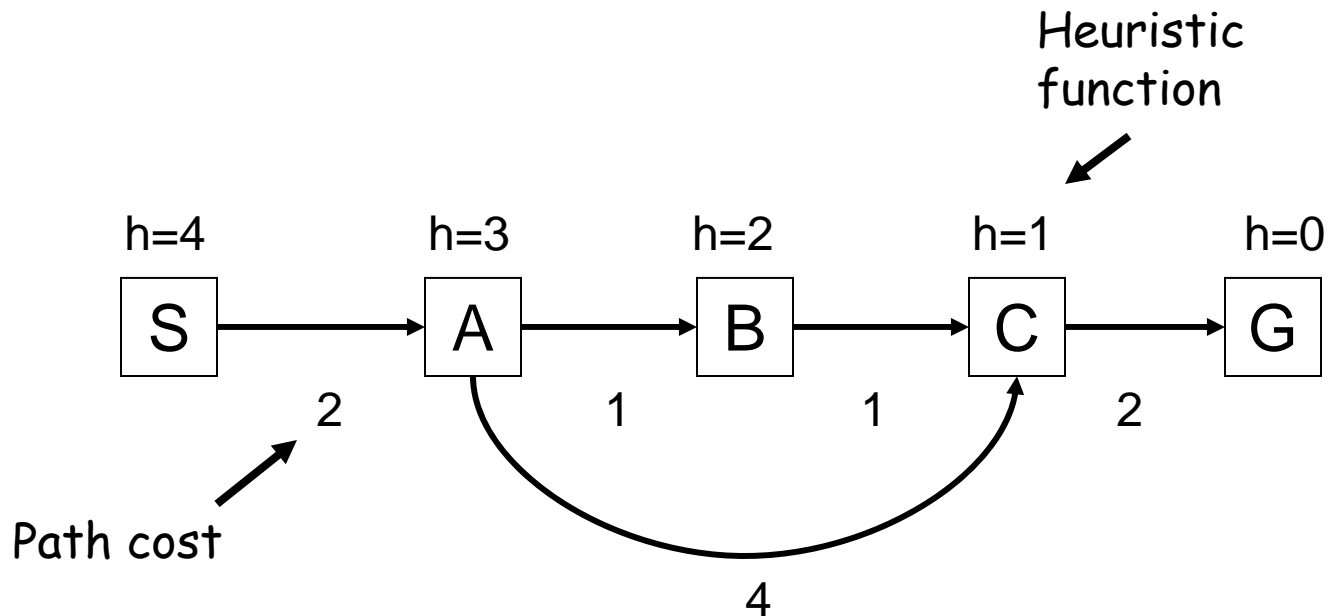
Informed search

- If $h(n_1) < h(n_2)$ then we guess that it is cheaper to reach the goal from n_1 than it is from n_2
- We require
 - $h(n) = 0$ when n is a goal node
 - $h(n) \geq 0$ for all other nodes

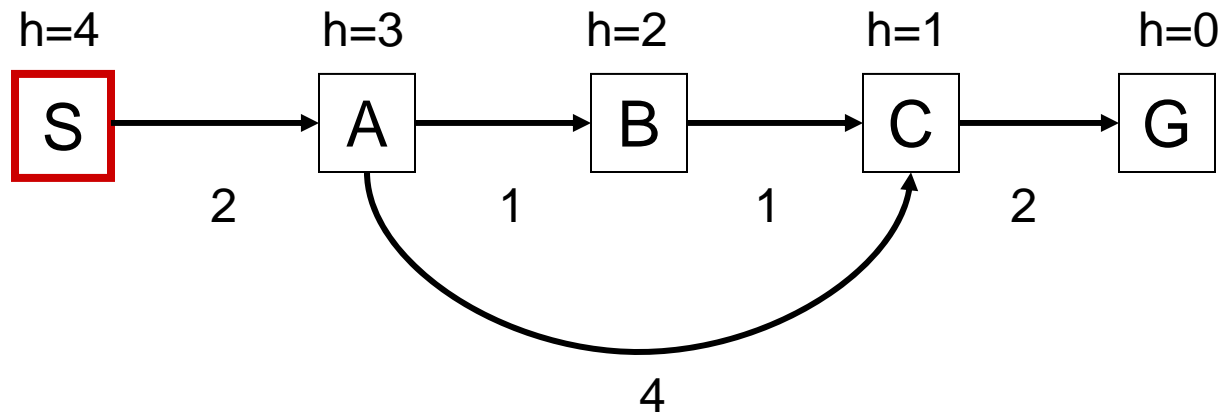
Greedy best-first search

- Use the heuristic function, $h(n)$, to rank the nodes in the fringe
- Search strategy
 - Expand node with lowest h -value
- Greedily trying to find the least-cost solution

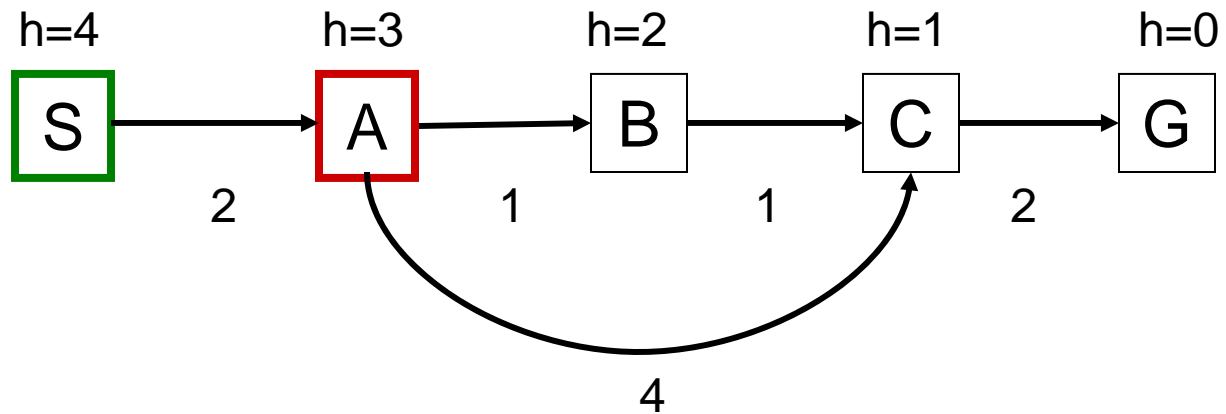
Greedy best-first search: Example



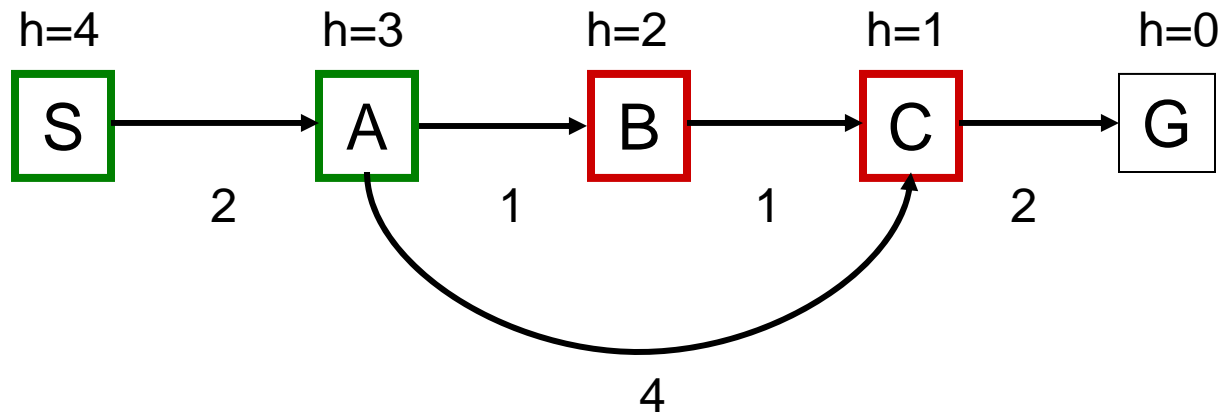
Example cont...



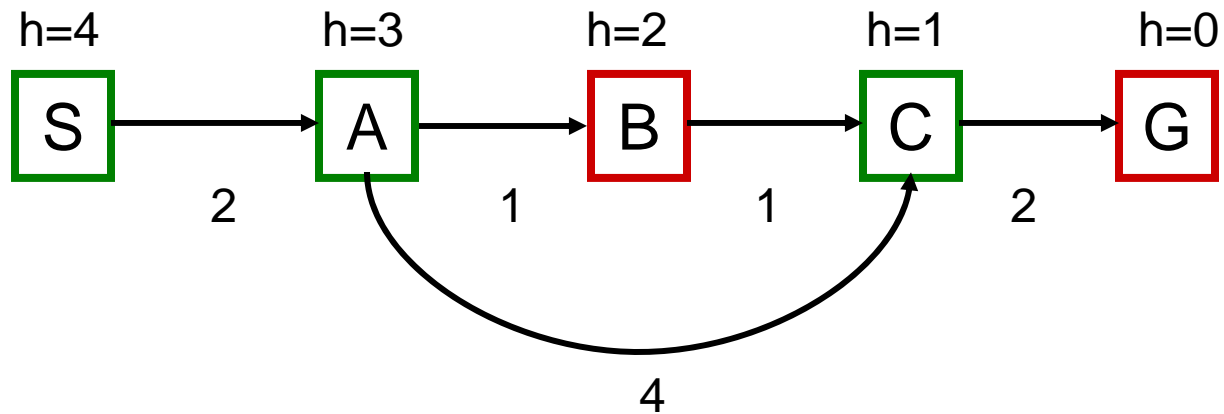
Example cont...



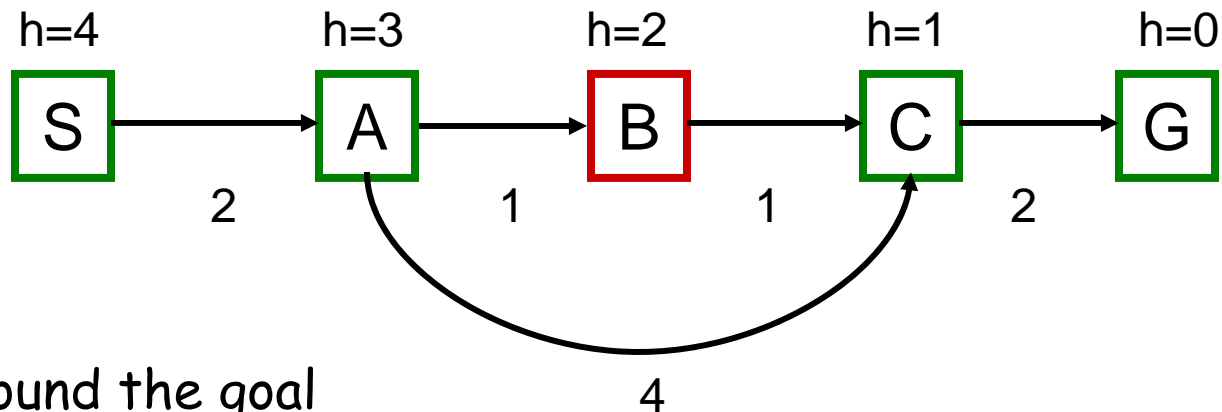
Example cont...



Example cont...



Example cont...



Found the goal

Path is S, A, C, G

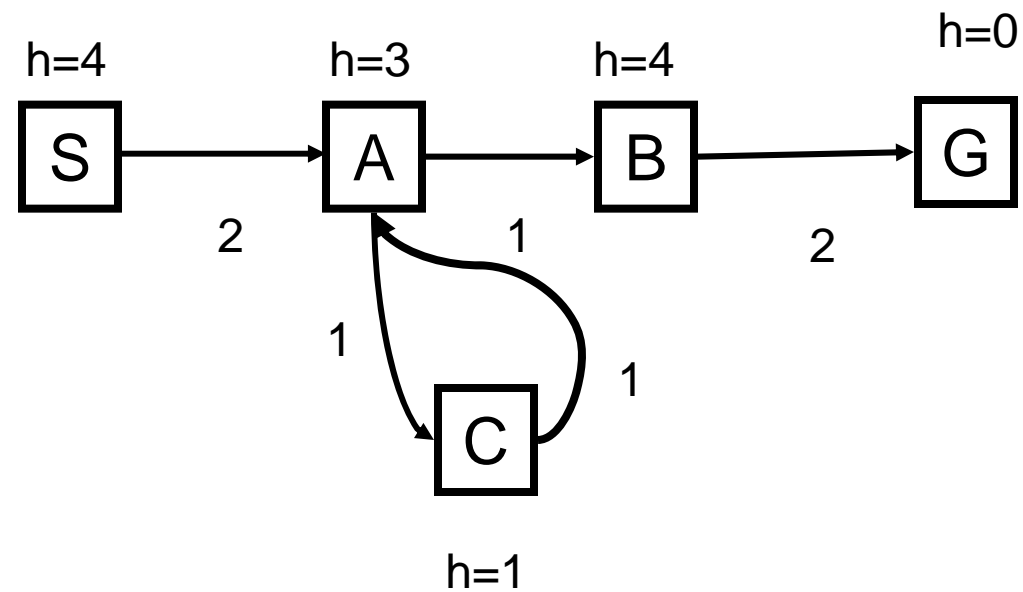
Cost of the path is $2+4+2=8$

But cheaper path is S, A, B, C, G

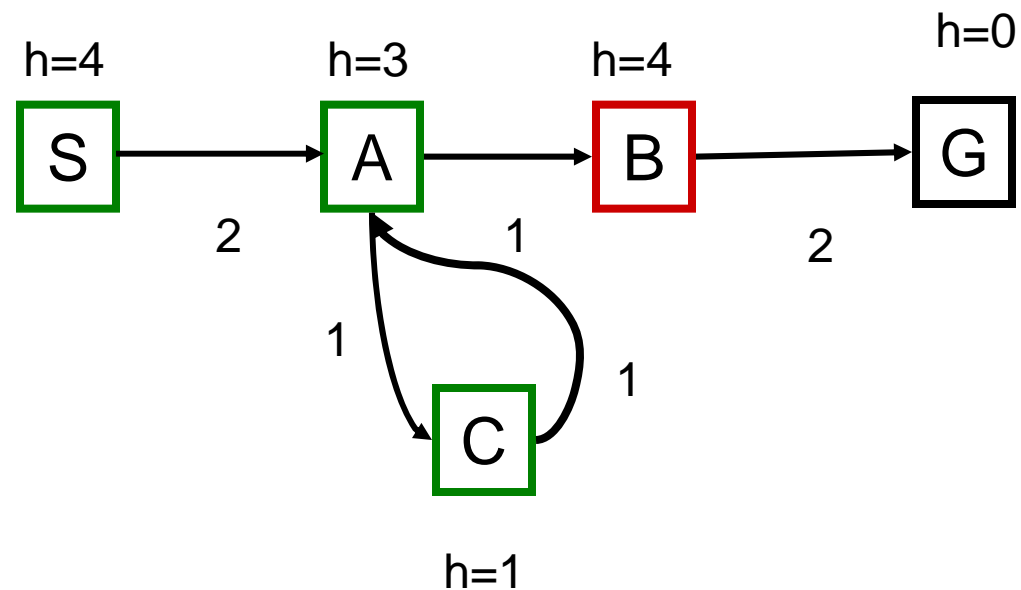
With cost $2+1+1+2=6$

Greedy best-first is not optimal

Another Example



Another Example



Greedy best-first can get stuck in loops

Not complete

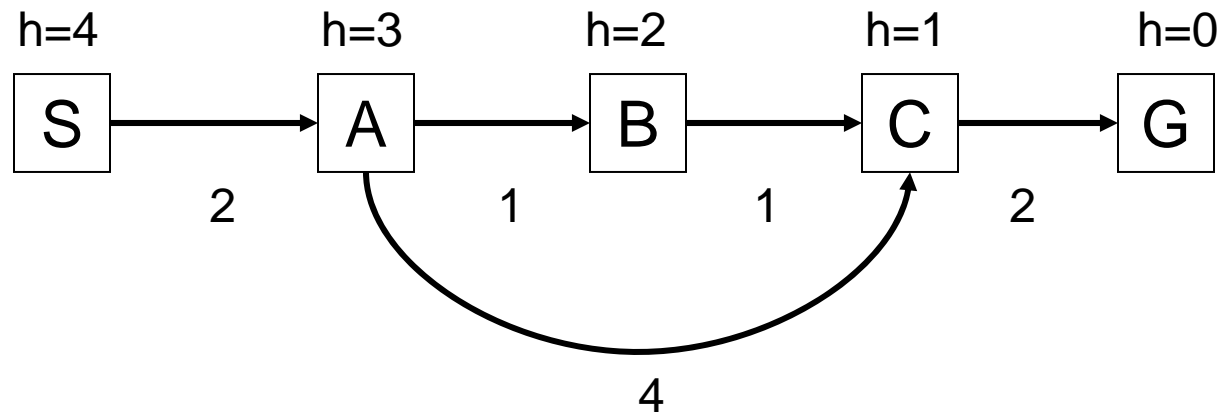
Properties of greedy search

- Not optimal!
- Not complete!
 - If we check for repeated states then we are ok
- Exponential space in worst case since need to keep all nodes in memory
- Exponential worst case time $O(b^m)$ where m is the maximum depth of the tree
 - If we choose a good heuristic then we can do much better

A* Search

- Greedy best-first search is too greedy
 - It does not take into account the cost of the path so far!
- Define
 - $f(n) = g(n) + h(n)$
 - $g(n)$ is the cost of the path to node n
 - $h(n)$ is the heuristic estimate of the cost of reaching the goal from node n
- A* search
 - Expand node in fringe (queue) with lowest f value

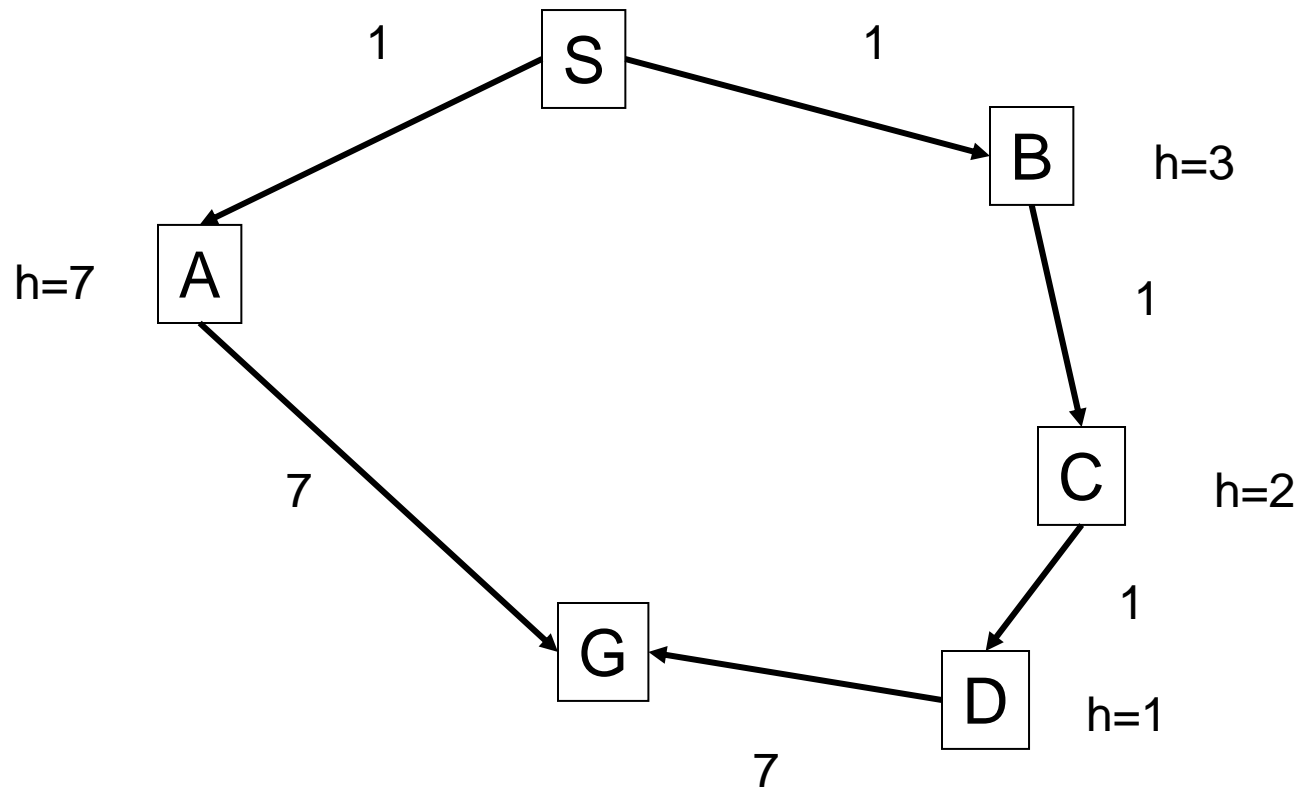
A* Example



1. Expand S
2. Expand A
3. Choose between B ($f(B)=3+2=5$) and C ($f(C)=6+1=7$)) expand B
4. Expand C
5. Expand G - recognize it is the goal

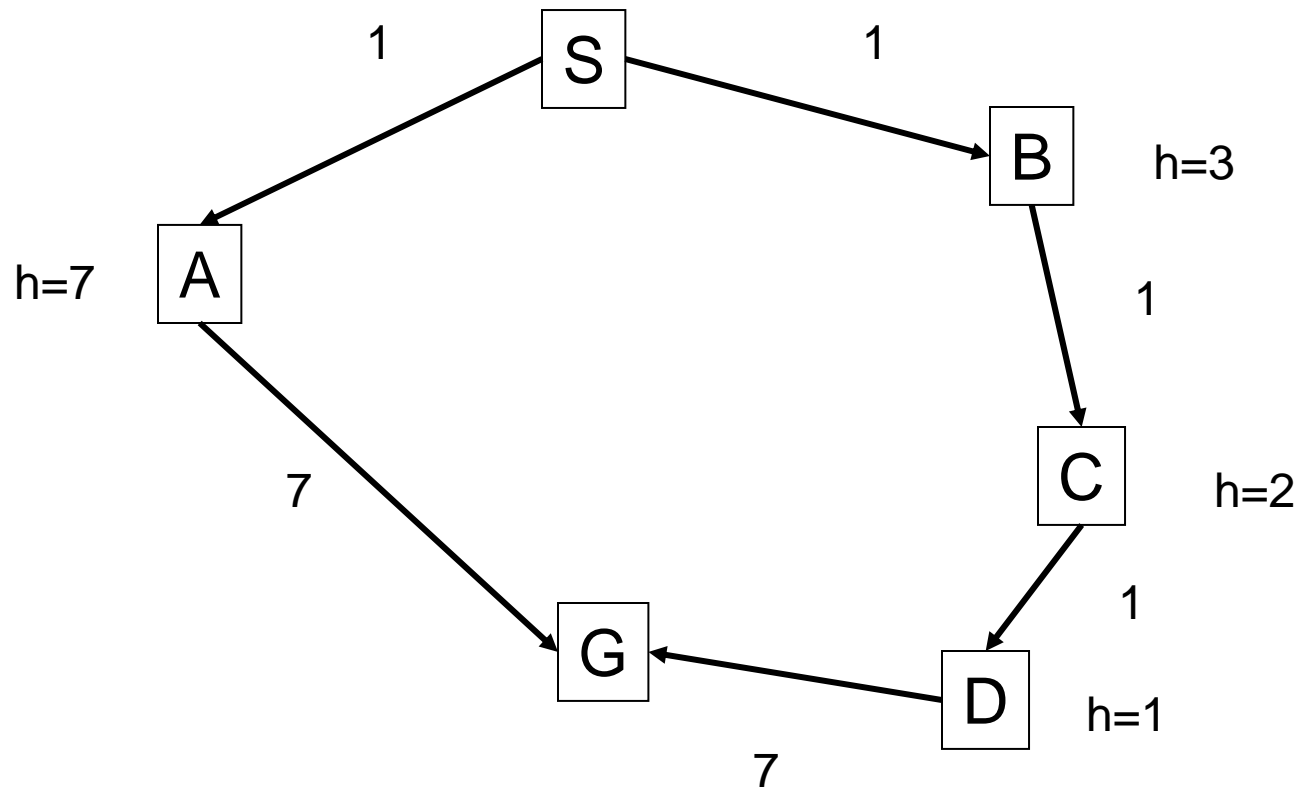
When should A* terminate?

- As soon as we find a goal state?



When should A* terminate?

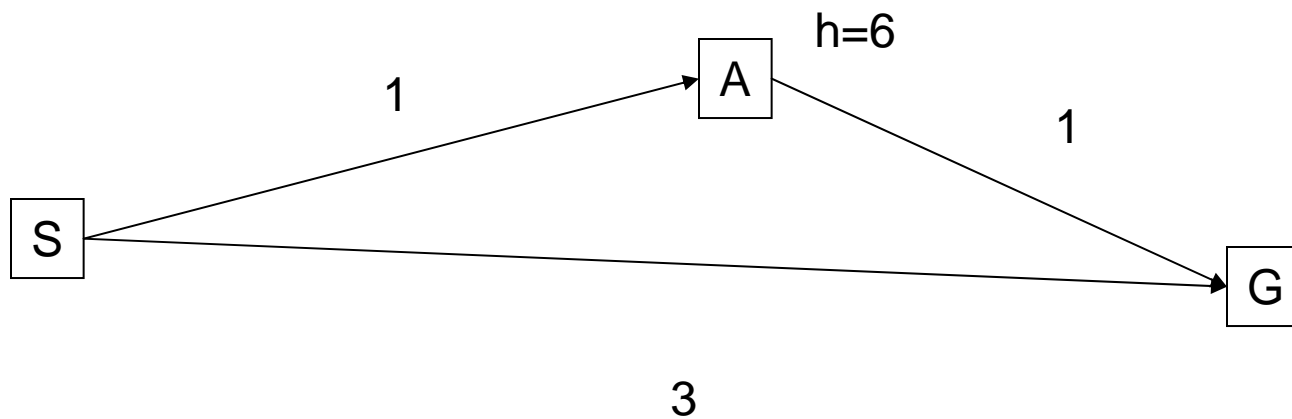
- As soon as we find a goal state?



A* Terminates only when goal state is popped from the queue

20

Is A* Optimal?



No. This example shows why not.

Admissible heuristics

- Let $h^*(n)$ denote the true minimal cost to the goal from node n
- A heuristic, h , is **admissible** if
 - $h(n) \leq h^*(n)$ for all n
- Admissible heuristics never overestimate the cost to the goal
 - Optimistic

Optimality of A^*

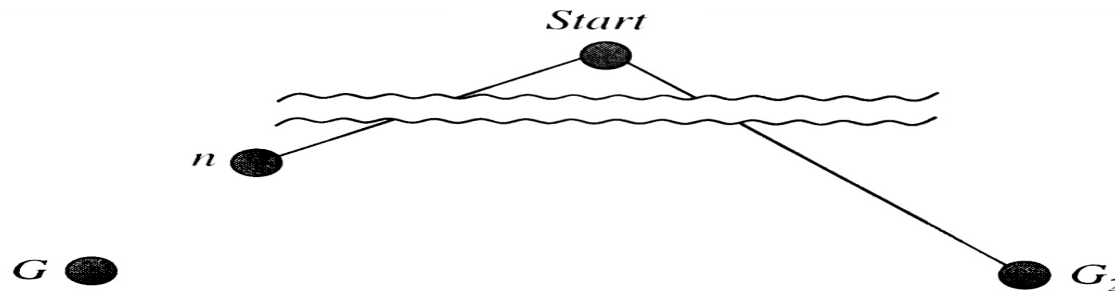
- If the heuristic is admissible then A^* with tree-search is **optimal**

Let G be an optimal goal state, and $f(G) = f^* = g(G)$.

Let G_2 be a suboptimal goal state, i.e. $f(G_2) = g(G_2) > f^*$.

Assume for contradiction that A^* has selected G_2 from the queue.
(This would terminate A^* with a suboptimal solution)

Let n be a node that is currently a leaf node on an optimal path to G .

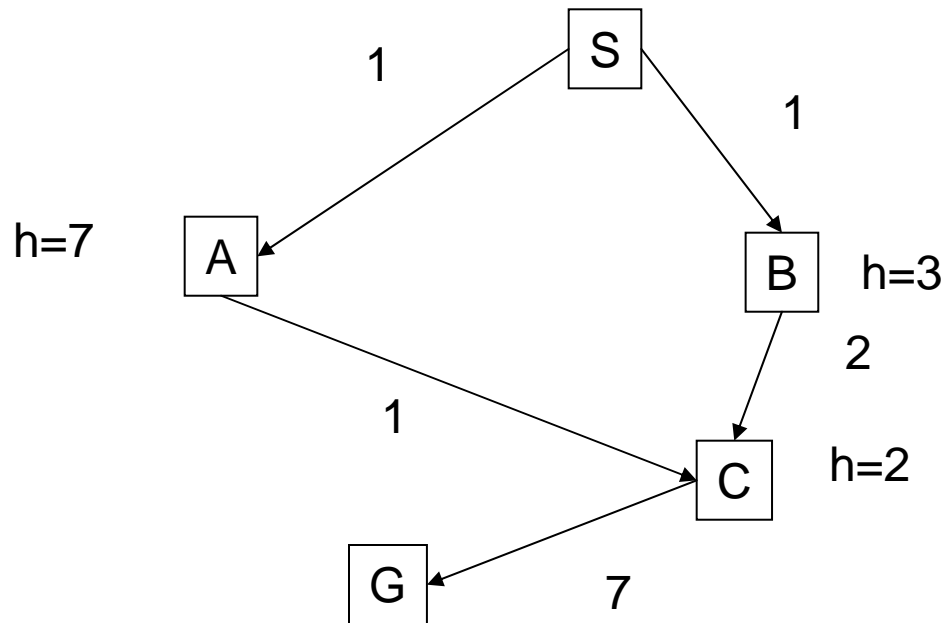


Because h is admissible, $f^* \geq f(n)$.

If n is not chosen for expansion over G_2 , we must have $f(n) \geq f(G_2)$
So, $f^* \geq f(G_2)$. Because $h(G_2)=0$, we have $f^* \geq g(G_2)$, contradiction. 23

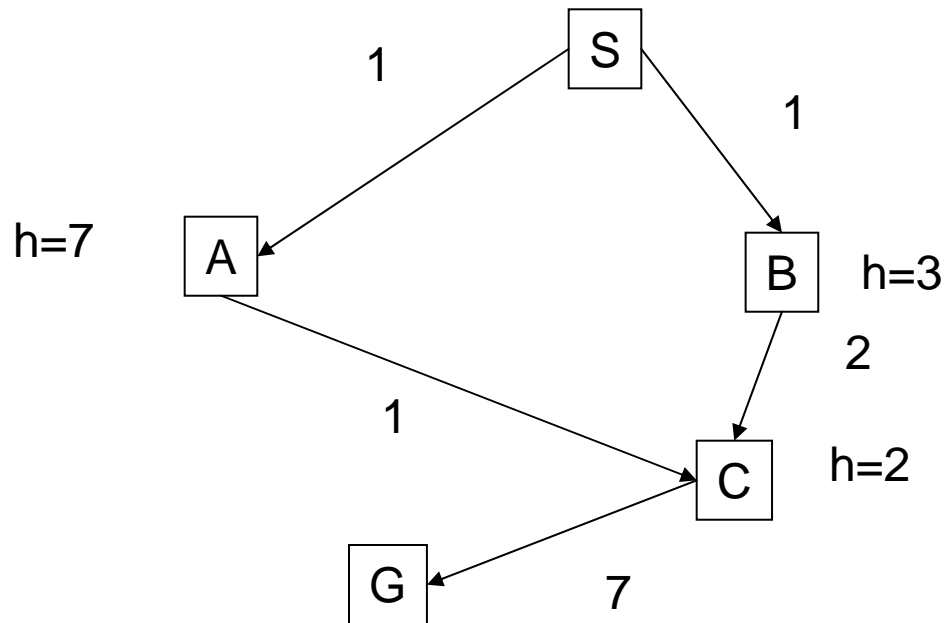
A* and revisiting states

What if we revisit a state that was already expanded?



A* and revisiting states

What if we revisit a state that was already expanded?



If we allow states to be expanded again, we might get a better solution!

Optimality of A*

- For searching graphs we require something stronger than admissibility
 - Consistency (monotonicity):
 - $h(n) \leq \text{cost}(n,n') + h(n') \quad \forall n, n'$
 - Almost any admissible heuristic function will also be consistent
- A* graph-search with a consistent heuristic is optimal

Properties of A^*

- **Complete** if the heuristic is consistent
 - Along any path, f always increases (if a solution exists somewhere, the f value will eventually get to its cost)
- Exponential time complexity in worst case
 - A good heuristic will help a lot here
 - $O(bm)$ if the heuristic is perfect
- Exponential space complexity

Memory-bounded heuristic search

- A^* keeps most generated nodes in memory
 - On many problems A^* will run out of memory
- Iterative deepening A^* (IDA*)
 - Like IDS but change f -cost rather than depth at each iteration
- SMA* (Simplified Memory-Bounded A^*)
 - Uses all available memory
 - Proceeds like A^* but when it runs out of memory it drops the **worst** leaf node (one with highest f -value)
 - If all leaf nodes have the same f -value then it drops oldest and expands the newest
 - Optimal and complete if depth of shallowest goal node is less than memory size

Heuristic Functions

- A good heuristic function can make all the difference!
- How do we get heuristics?
 - One approach is to think of an easier problem and let $h(n)$ be the cost of reaching the goal in the easier problem

8-puzzle

7	2	4
5		6
8	3	1

Start State

	1	2
3	4	5
6	7	8

Goal State

- **Relax the game**

1. Can move tile from position A to position B if A is next to B (ignore whether or not position is blank)
2. Can move tile from position A to position B if B is blank (ignore adjacency)
3. Can move tile from position A to position B

8-puzzle cont...

- 3 leads to **misplaced tile heuristic**
 - To solve this problem need to move each tile into its final position
 - Number of moves = number of misplaced tiles
 - Admissible
- 1 leads to **manhattan distance heuristic**
 - To solve the puzzle need to slide each tile into its final position
 - Admissible

8-puzzle cont...

- h_1 =misplaced tiles
- h_2 =manhattan distance
- Note h_2 **dominates** h_1
 - $h_1(n) \leq h_2(n)$ for all n
 - Which heuristic is best?

Designing heuristics

- Relaxing the problem (as just illustrated)
- Precomputing solution costs of subproblems and storing them in a pattern database
- Learning from experience with the problem class

Conclusion

- What you should now know
 - Thoroughly understand A^* and IDA*
 - Be able to trace simple examples of A^* and IDA* execution
 - Understand admissibility and consistency of heuristics
 - Proof of completeness, optimality
 - Criticize greedy best-first search

Next class

- Constraint satisfaction (CSPs)
 - Russell and Norvig, Chapter 5 (mainly sections 5.1-5.2)