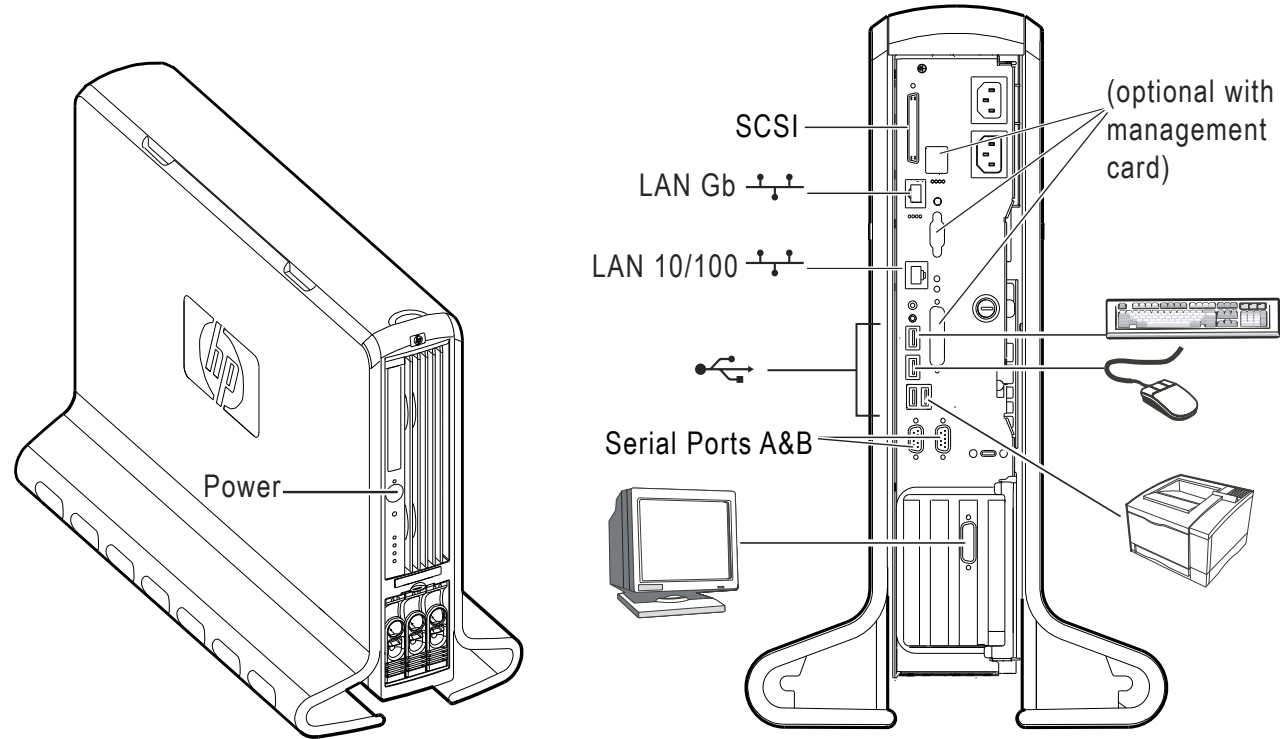
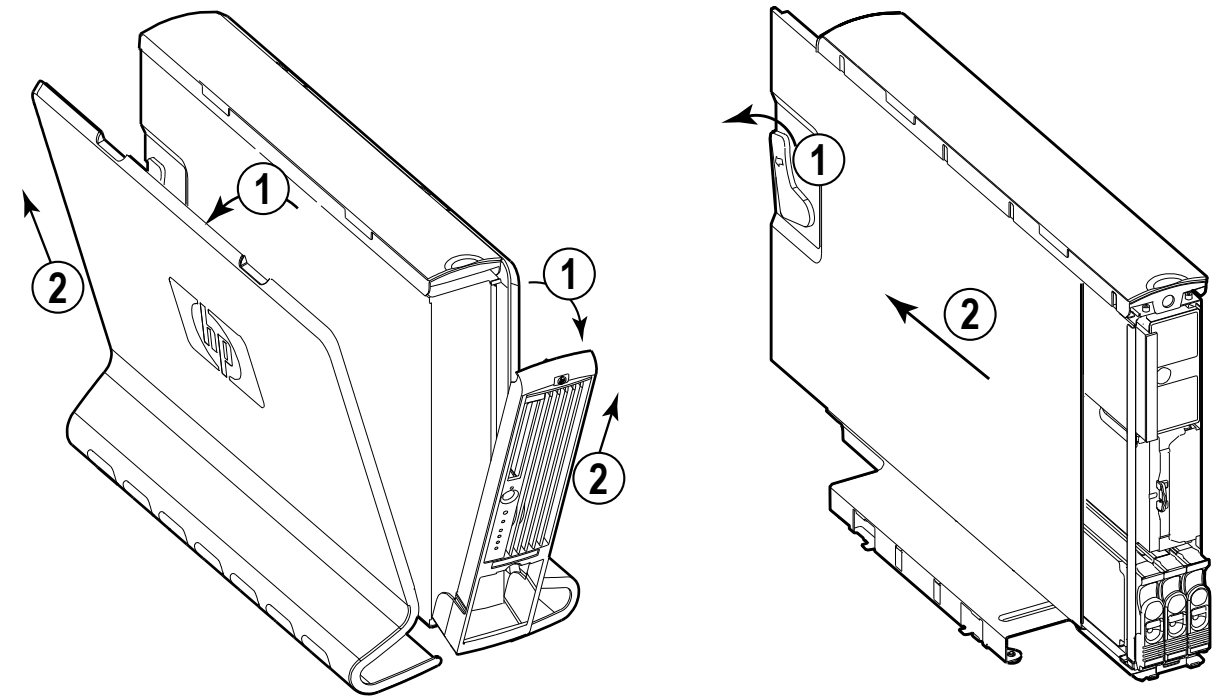


hp workstation zx6000 and hp server rx2600 installation



access panel removal



for more information

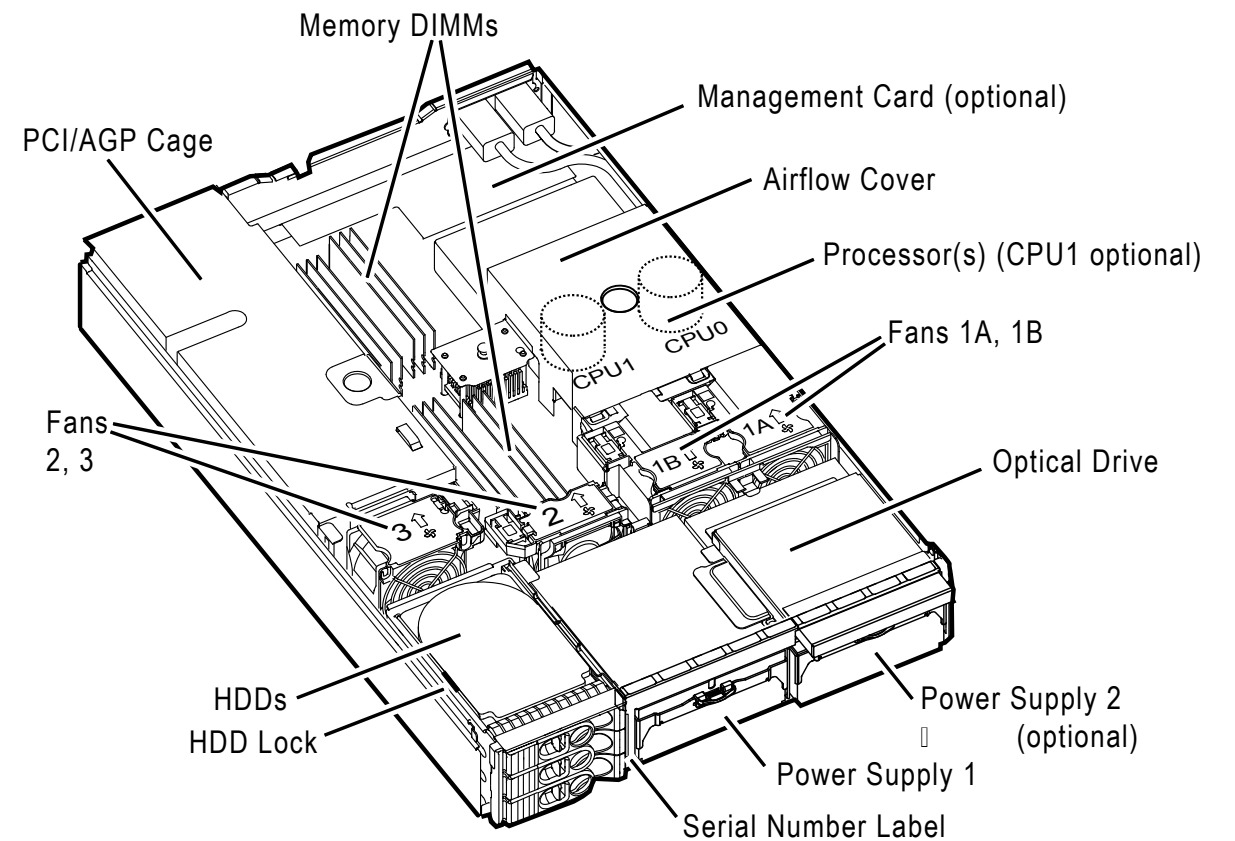
Workstation or server installation
 - Go to the *Operation and Maintenance Guide* at:
<http://www.hp.com/go/workstationsupport>

- A full list of HP supported PCI, PCI-X, and AGP cards is available at
http://www.hp.com/support/itanium_tpl

If you are considering using a non-supported card, please
 review the errata notices at: http://www.hp.com/support/itanium_ipf

Note:
 The graphics display port functionality on the optional HP Management Processor Card (A6875A) is not supported on the HP Workstation zx6000, if the system has an AGP graphics card installed. All other HP Management Processor card functionality is supported.

component location



Printed in U.S.A
 P/N: A7857-90001



A7857-90001

